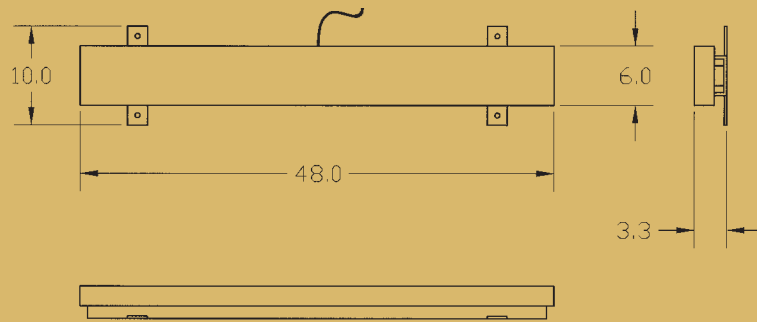


# PW™ Series

Check out these low cost alternatives to compliment your operation. Their light weight and compact design enables them to be brought to any location whenever you don't have access or can't tie up your pallet truck, walkie or lift truck scales.

## TB830 Twin Beam Scale



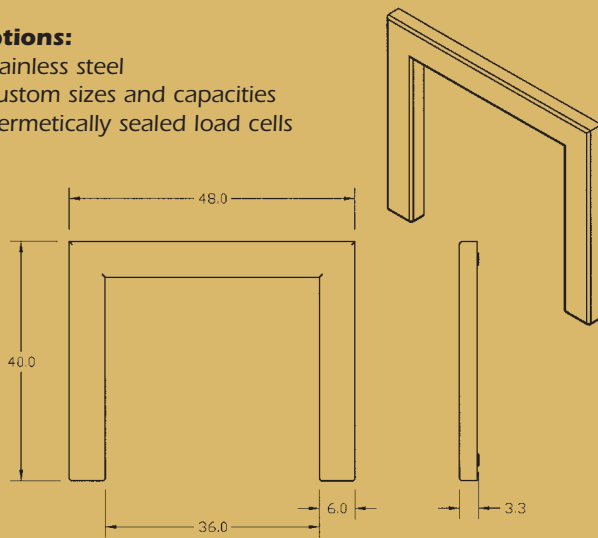
- Options:**
- Stainless steel
  - Custom sizes and capacities
  - Hermetically sealed load cells

Description	Capacity (pair)
3' Beam - 2 load cells each	5k
4' Beam - 2 load cells each	5k
5' Beam - 2 load cells each	5k
6' Beam - 2 load cells each	5k
7' Beam - 3 load cells each	5k
8' Beam - 3 load cells each	5k
4' Beam - 2 load cells each	10k
5' Beam - 2 load cells each	10k
6' Beam - 2 load cells each	10k
7' Beam - 3 load cells each	10k
8' Beam - 3 load cells each	10k

## US840 Pallet Scale

**Options:**

- Stainless steel
- Custom sizes and capacities
- Hermetically sealed load cells



All dimensions are in inches.

These ultra portable scales are connected to Intercomp's GP1000 battery operated indicator for gross/net/tare functions while readings are easily viewed in almost any environment via a 1 inch high LCD display with back light.

The US840 quickly slides into your pallet for accurate readings in hard to reach places. Easy to store and transport for use at multiple locations.

The TB830 accommodates both sides of a pallet using an independent twin beam design which is easily positioned to handle a wide variety of pallet sizes. Perfect for unconventional pallets not normally handled by your pallet truck, walkie or lift truck scales.

Intercomp also offers a complete line of bench, floor, roller-deck and cargo scales to complete our range of total solutions. Contact us for further information on these all purpose alternatives.